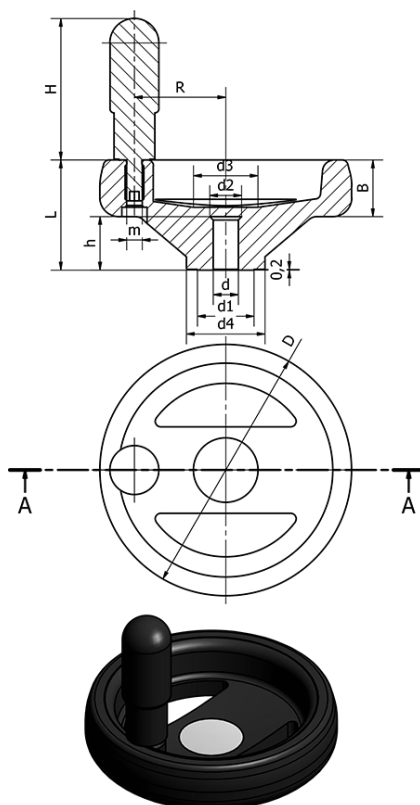


Data Sheet



Article number: 2301079211R
Description: E+G Handwheel
VRTP.125-P+I-SST-12
Note: Plastic

Measures



= -	d H7	= 12
B = 22	H	= 22
Code = 79211-R	L	= 44
D = 125	R	= 48
d1 = 22	Type	= VRTP.125-P+I-SST-12
d2 = 20	Weight (g)	= 245
d3 = 26		
d4 = 31		